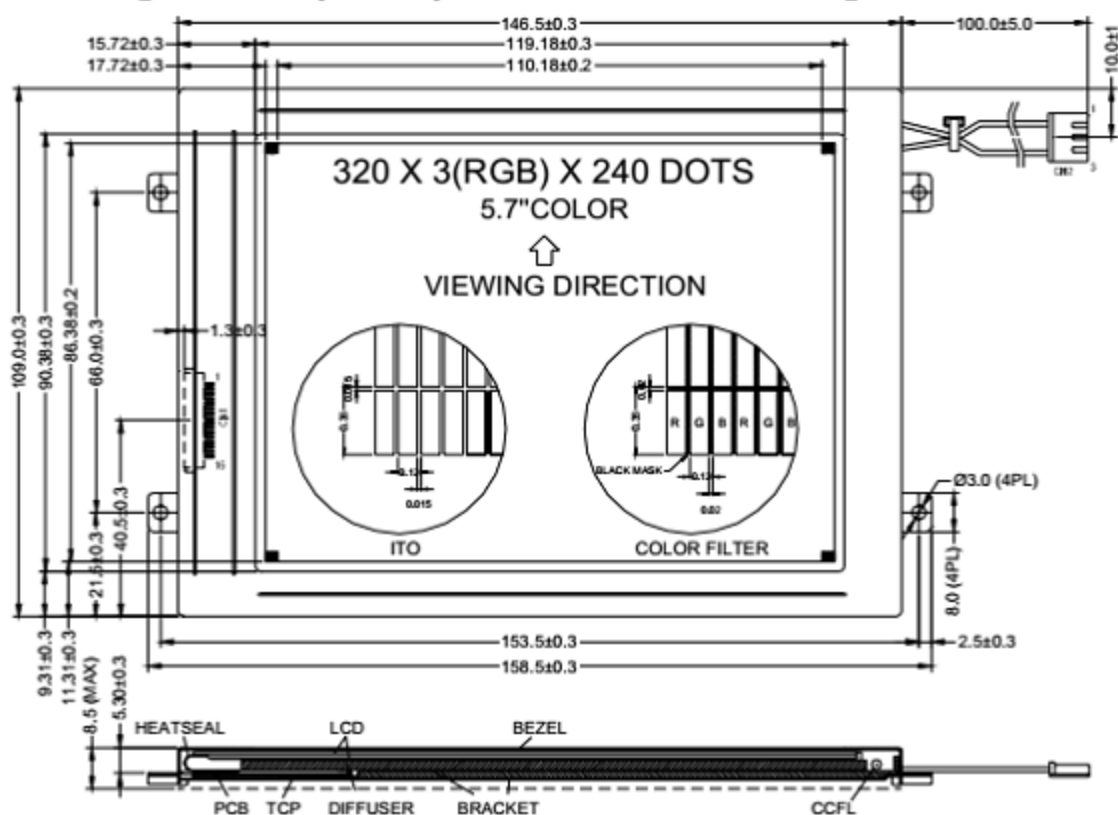


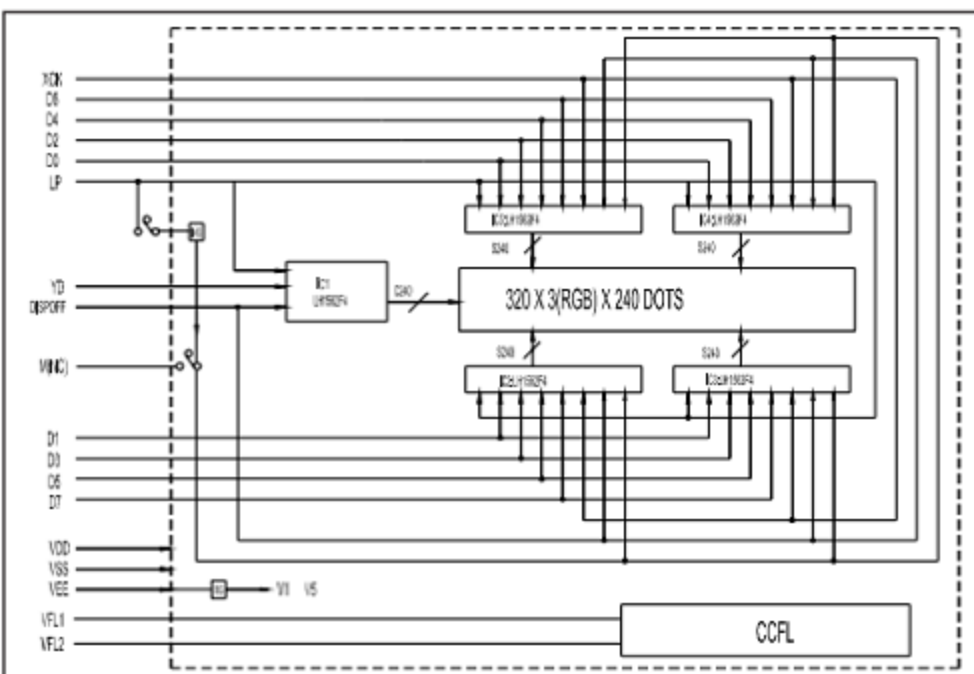
## LG322402 [320 x 3(RGB) x 240, 1/240 MUX]

DIMENSION IN MM



[\*] DIMENSIONS FOR LED BACKLIGHT VERSION

### BLOCK DIAGRAM



### PIN DETAILS

PIN No.	DESCRIPTION	
	CN 1	CN 2
1	M	VFL1
2	YD	NC
3	LP	VFL2
4	XCK	
5	DISP OFF	
6	Vdd	
7	Vss	
8	Vee	
9	D7	
10	D6	
11	D5	
12	D4	
13	D3	
14	D2	
15	D1	
16	D0	

### TABULATED DATA

MODEL	DISPLAY FORMAT DOT x DOT	DRIVING DUTY	DOT SIZE W x H	DOT PITCH W x H	VIEWING AREA W x H	MODULE SIZE W x H
LG322402	320x3(RGB)x240	1/240	0.345 x 0.345	0.36 x 0.36	119.18 x 90.38	158.5 x 109.0